

MAINTENANCE-FREE RECHARGEABLE BATTERY

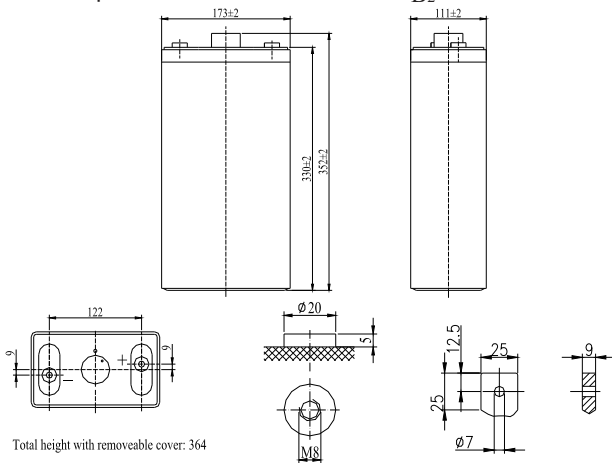
Long Life Type

General Features

- Absorbent Glass Mat (AGM) technology for efficient gas recombination of up to 99% and freedom from electrolyte maintenance or water adding.
- Not restricted for air transport-complies with IATA/ICAO Special Provision A67.
- UL-recognized component.
- Can be mounted in any orientation.
- Computer designed lead, calcium tin alloy grid for high power density.
- Long service life, float or cyclic applications.
- Maintenance-free operation.
- Low self discharge.

Dimensions and Weight

Length(mm / inch)	173 / 6.81
Width(mm / inch)	111 / 4.37
Height(mm / inch)	330 / 12.99
Total Height(mm / inch)	364 / 14.33
Approx. Weight(Kg / lbs)	15 / 33.1
Standard Terminal	I
Optional Terminal	B ₂



Specification

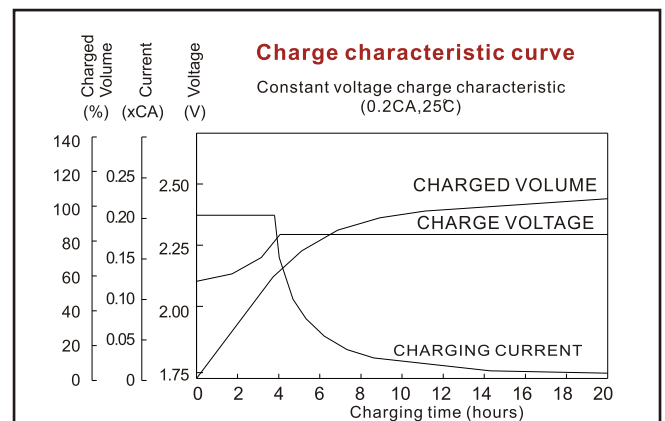
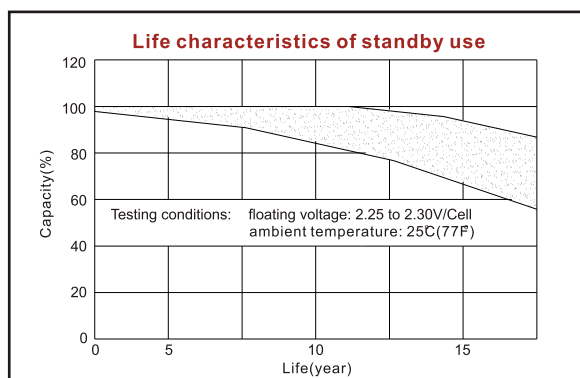
Nominal Voltage	2V
Number of cell	1
Design Life	20 years
Nominal Capacity 77°F(25°C)	
10 hour rate(25A, 1.8V)	250Ah
5 hour rate(45.4A, 1.75V)	226.9Ah
1hour rate(155A, 1.6V)	155Ah
Internal Resistance	
Fully Charged battery 77°F(25°C)	0.8mOhms
Self-Discharge	
3% of capacity declined per month at 20°C(average)	
Operating Temperature Range	
Discharge	-20~60°C
Charge	-10~60°C
Storage	-20~60°C
Max. Discharge Current 77°F(25°C)	1000A(5s)
Charge Methods: Constant Voltage Charge 77°F(25°C)	
Cycle use	2.35-2.45V
Maximum charging current	50A
Temperature compensation	-5.0mV/°C
Standby use	2.25-2.3V
Temperature compensation	-3.3mV/°C

Discharge Constant Current (Amperes at 77°F25°C)

End Point Volts/Cell	10min	15min	30min	45min	1h	3h	5h	10h
1.60V	392	294	196	162	155	56.6	48.4	26.4
1.65V	372	280	187	155	150	54.8	47.2	26.2
1.70V	350	265	178	148	145	52.9	46.9	25.9
1.75V	329	250	169	141	140	50.8	45.5	25.5
1.80V	307	235	160	134	135	48.6	45.0	25.0

Discharge Constant Power (Watts at 77°F25°C)

End Point Volts/Cell	10min	15min	30min	45min	1h	2h	3h	5h
1.60V	580	524	380	308	245	146	106	78.0
1.65V	559	499	364	299	235	142	104	76.6
1.70V	538	473	348	289	224	137	101	75.1
1.75V	517	446	331	280	213	132	98.0	73.5
1.80V	495	420	315	272	201	126	94.7	71.7



MAINTENANCE-FREE RECHARGEABLE BATTERY

Long Life Type

