

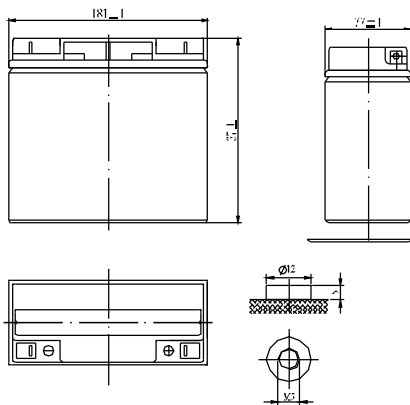
## MAINTENANCE-FREE RECHARGEABLE BATTERY

### General Features

- Absorbent Glass Mat (AGM) technology for efficient gas recombination of up to 99% and freedom from electrolyte maintenance or water adding.
- Not restricted for air transport-complies with IATA/ICAO Special Provision A67.
- UL-recognized component.
- Can be mounted in any orientation.
- Computer designed lead, calcium tin alloy grid for high power density.
- Long service life, float or cyclic applications.
- Maintenance-free operation.
- Low self discharge.

### Dimensions and Weight

Length(mm / inch)	181 / 7.13
Width(mm / inch)	77 / 3.03
Height(mm / inch)	167 / 6.57
Total Height(mm / inch)	167 / 6.57
Approx. Weight(Kg / lbs)	
Standard Terminal	I



### Specification

Nominal Voltage	12V
Number of cell	6
Design Life	10 years
Nominal Capacity 77°F(25°C)	

#### Internal Resistance

Fully Charged battery 77°F(25°C)	16mOhms
----------------------------------	---------

#### Self-Discharge

3% of capacity declined per month at 20°C(average)

#### Operating Temperature Range

Discharge -20~60°C

Charge -10~60°C

Storage -20~60°C

#### Max. Discharge Current 77°F(25°C)

270A(5s)

#### Short Circuit Current

850A

#### Charge Methods: Constant Voltage Charge 77°F(25°C)

Cycle use 14.5-14.9V

Maximum charging current 5.4A

Temperature compensation -30mV/°C

Standby use 13.6-13.8V

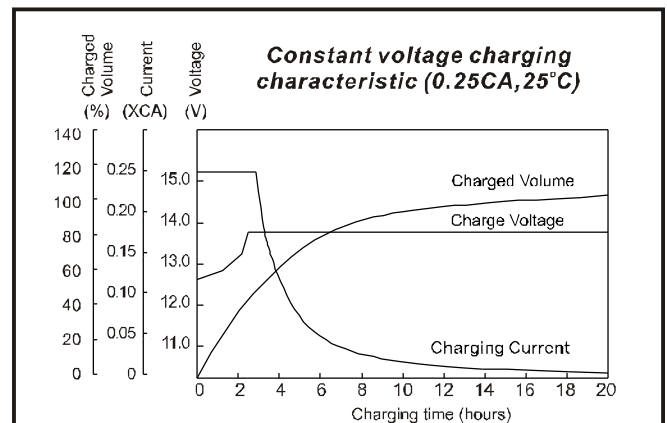
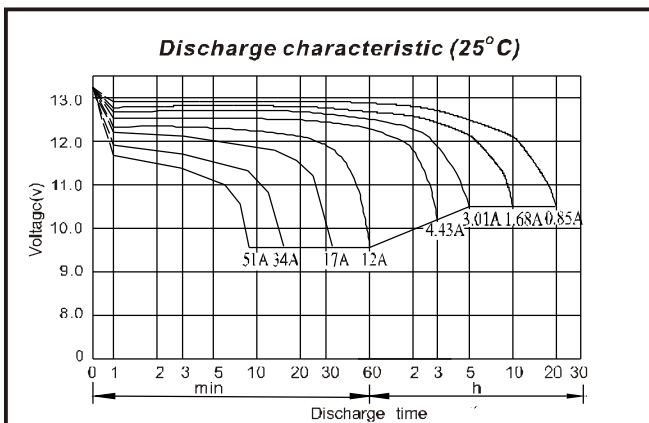
Temperature compensation -20mV/°C

### Discharge Constant Current (Amperes at 77°F25°C)

End Point Volts/Cell	5min	10min	15min	30min	1h	3h	5h	10h	20h
1.60V									
1.65V									
1.70V									
1.75V									
1.80V									

### Discharge Constant Power (Watts at 77°F25°C)

End Point Volts/Cell	5min	10min	15min	30min	45min	1h	2h	3h	5h
1.60V									
1.65V									
1.70V									
1.75V									
1.80V									



### MAINTENANCE-FREE RECHARGEABLE BATTERY

