

FEATURES

- The sulfuric acid is mixed with silica fume, which makes the resulting mass gel-like and immobile.
- Increased durability and deep cycle ability for heavy demand.
- High temperature stability, mechanical strength and low acid displacement.
- Superior performance with deep discharges.
- Patented safety valve to have accurate pressure operating for long battery life.

APPLICATION

- UPS
- Security
- Telecommunication
- Electronic Medical Equipment
- Emergency Lighting



SPECIFICATIONS

Nominal Voltage	12 V
Nominal Capacity	110 Ah @ 20 hour rate F.V.(1.75V/cell) 103 Ah @ 10 hour rate F.V.(1.80V/cell)
Approx. Weight	39Kg(85.98lbs.)
Terminals	I2
Internal Resistance	≤5mΩ (Fully Charged)
Max. Discharge Current	800 A (5 sec.)
Max. Charge Current	22.0 A
Self Discharge	< 2% per month (25°C)
Operating Temperature Range	-20°C~55°C(-4°F~131°F)
Container Material	Standard: ABS(UL 94-HB) GB 12/110 Optional: Flame Retardant ABS(UL 94-V0) GB 12/110FR

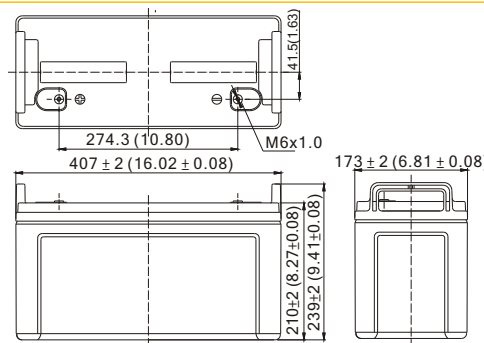
- GB/T 19638.2-2005
- IEC60896-2/22 2004

DIMENSION(mm/inch)

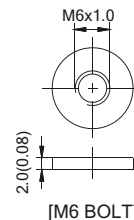
OUTER DIMENSIONS

TERMINAL TYPE

- **Length**
407±2.0 (16.02±0.08)
- **Width**
173±2.0 (6.81±0.08)
- **Container Height**
210±2.0 (8.27±0.08)
- **Total Height**
239±2.0 (9.41±0.08)



● Terminal I2



[M6 BOLT]

Terminal Hardware Initial Torque: I2(5.5Nm±5%)

Constant power discharge characteristics at 25 °C/77 °F

Unit: W

Discharge Time F.V. (V/cell)	30 Min	1 Hr	3 Hr	5 Hr	10 Hr	20 Hr
1.80V	1268	752	328.8	232.2	123.7	65.12
1.75V	1288	774	335.5	235.7	125.6	66.00
1.70V	1297	791	339.5	237.7	126.6	66.64
1.65V	1303	800	342.2	238.5	127.0	66.84
1.60V	1303	809	344.0	239.3	127.0	66.84

Constant current discharge characteristics at 25 °C/77 °F

Unit: A

Discharge Time F.V. (V/cell)	30 Min	1 Hr	3 Hr	5 Hr	10 Hr	20 Hr
1.80V	109.4	64.06	27.54	19.41	10.31	5.427
1.75V	111.6	66.00	28.10	19.70	10.47	5.500
1.70V	113.0	67.40	28.44	19.87	10.55	5.553
1.65V	114.4	68.22	28.66	19.94	10.58	5.570
1.60V	115.0	68.91	28.81	20.00	10.58	5.570

All data and artworks shall be changed without prior notice, BB reserves the right to explain and update the information contained hereinto.