

VRLA Rechargeable Battery

FTB125-12



FEATURES

- Absorbent Glass Mat technology for efficient gas recombination
- Thermally welded case-to-cover bond to ensure a leak-proof case
- Front accessible terminal for ease of assembly
- Carry handles for ease of installation
- Strengthened rib design to maintain structural integrity
- Flame-arrestor is installed to ensure safety
- Battery design allows for 48VDC configuration in a standard 23" rack
- One-way self-resealing safety valve for long life guarantee

APPLICATION

- Telecom
- UPS
- Broadband
- Electric Utility
- Railroad Signal
- Central Office



SPECIFICATIONS

Nominal Voltage	12 V
Nominal Capacity	125Ah @ 8 hour rate F.V.(1.75V/cell)
Approx. Weight	46.4Kg(102.3lbs.)
Terminals	L1 (M8 Male Stud)
Internal Resistance	≤ 2.9m Ω (Fully Charged)
Max. Discharge Current	800 A (5 sec.)
Max. Charge Current	31.3 A
Operating Temperature Range	Charge : 0°C~40°C(32°F~104°F) Discharge : -20°C~50°C(-4°F~122°F) Storage : -20°C~40°C(-4°F~104°F)
Safety Valve	Opening pressure 10~35 kPa
Container Material	PP (UL94-HB)

ISO 9001	
ISO14001	
UL	
CE	
	<ul style="list-style-type: none"> ● IEC60896 ● BS6290/4 ● GB/T 19638 ● Eurobat guide

DIMENSION(mm/inch)

OUTER DIMENSIONS

TERMINAL TYPE

Length

560.0±2.0 (22.05±0.08)

Width

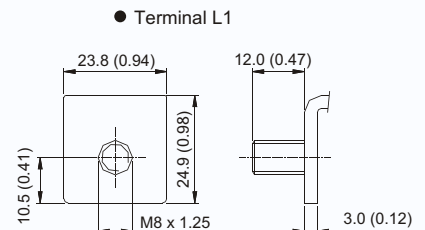
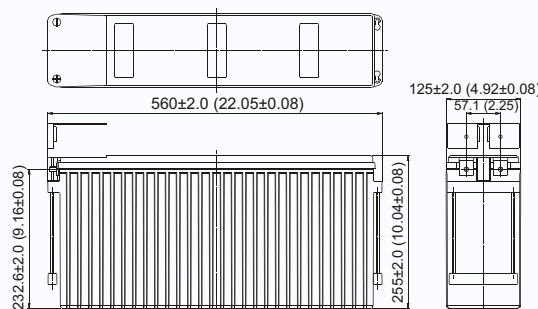
125.0±2.0 (4.92±0.08)

Container Height

232.6±2.0 (9.16±0.08)

Total Height

255.0±2.0 (10.04±0.08)



Terminal Hardware Initial Torque: 10.0Nm ±5%

Constant power discharge characteristics at 25 °C/77 °F

Unit: W

Discharge Time F.V. (V/cell)	30 Min	45 Min	1 Hr	2 Hr	3 Hr	4 Hr	5 Hr	8 Hr	10 Hr	20 Hr
1.90V	1405	1027	814.3	509.6	368.1	297.0	250.0	169.00	137.76	74.28
1.85V	1546	1122	901.6	562.9	401.5	320.2	269.3	182.00	148.44	80.04
1.80V	1643	1185	940.4	580.7	414.1	326.8	275.0	185.60	151.44	81.72
1.75V	1704	1225	969.4	592.5	418.3	330.0	277.6	187.60	153.00	82.56
1.70V	1742	1249	988.8	598.4	422.1	332.0	279.0	187.60	153.00	82.56
1.65V	1768	1265	999.0	604.4	424.9	334.7	280.0	187.60	153.00	82.56

Constant current discharge characteristics at 25 °C/77 °F

Unit: A

Discharge Time F.V. (V/cell)	30 Min	45 Min	1 Hr	2 Hr	3 Hr	4 Hr	5 Hr	8 Hr	10 Hr	20 Hr
1.90V	117.1	85.6	69.30	43.00	30.80	24.75	20.82	14.07	11.48	6.19
1.85V	130.1	94.1	76.73	47.50	33.60	26.68	22.44	15.16	12.37	6.67
1.80V	139.2	99.9	80.03	49.00	34.65	27.23	22.90	15.47	12.62	6.81
1.75V	144.4	103.2	82.50	50.00	35.00	27.50	23.13	15.63	12.75	6.88
1.70V	147.6	105.3	84.15	50.50	35.32	27.67	23.25	15.63	12.75	6.88
1.65V	149.8	106.7	85.02	51.00	35.56	27.89	23.34	15.63	12.75	6.88

All data shall be changed without prior notice, BB reserves the right to explain and update the information contained hereinto.