

VRLA Rechargeable Battery

BC75-12 (BC75-12FR)

FEATURES

- Maintenance free(no water topping-up required)
- No free acid(Non-spillable battery)
- Can be used in any orientation(excluding used inverted)
- Carry handles for easy installation
- Absorbent Glass Mat technology for efficient gas recombination
- Its design life is up to 5 years in floating application

APPLICATION

- UPS
- Golf-Carts
- TELECOM



SPECIFICATIONS

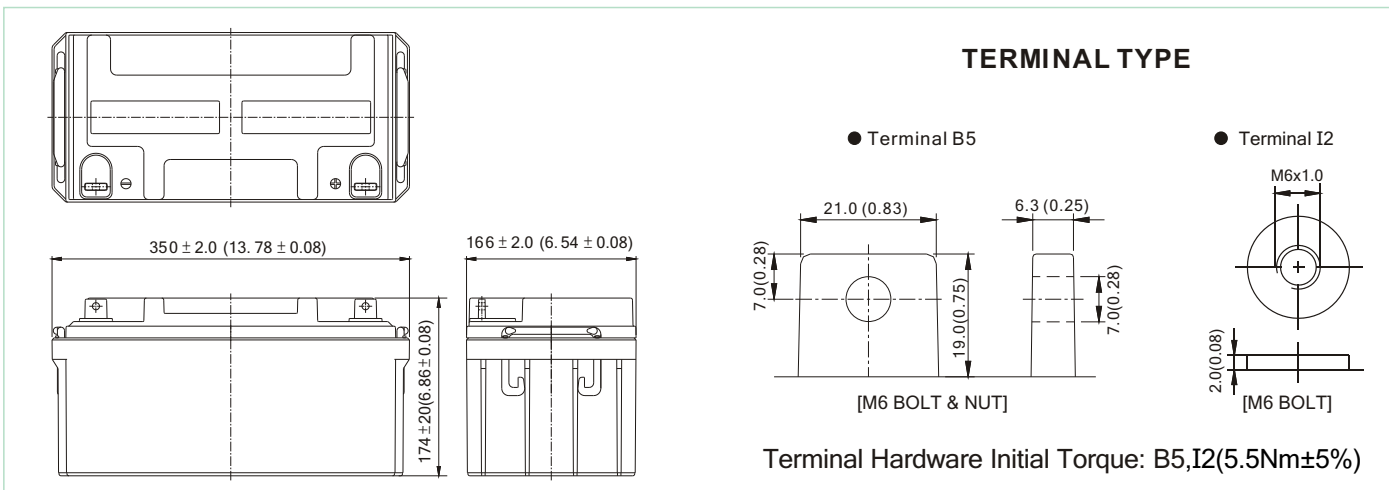
Nominal Voltage	12V	
Nominal Capacity	20 Hour Rate (3.75A, 10.5V)	75.0 Ah
	10 Hour Rate (7.13A, 10.5V)	71.3 Ah
	5 Hour Rate (12.75A, 10.5V)	63.8 Ah
	1 Hour Rate (45.00A, 9.3V)	45.0 Ah
Approx. Weight	20.2Kg(44.53lbs.)	
Terminals	B5 (Fitting M6 bolt & nut) I2 is optional	
Max. Discharge Current	750 A (5 sec.)	
Max. Charge Current	22.5 A	
Operating Temperature Range	Charge	0°C~40°C(32°F~104°F)
	Discharge	-20°C~50°C(-4°F~122°F)
	Storage	-20°C~40°C(-4°F~104°F)
Self Discharge	< 3% per month (25°C)	
Internal Resistance	≤ 8mΩ (Fully Charged)	

CONTAINER MATERIAL

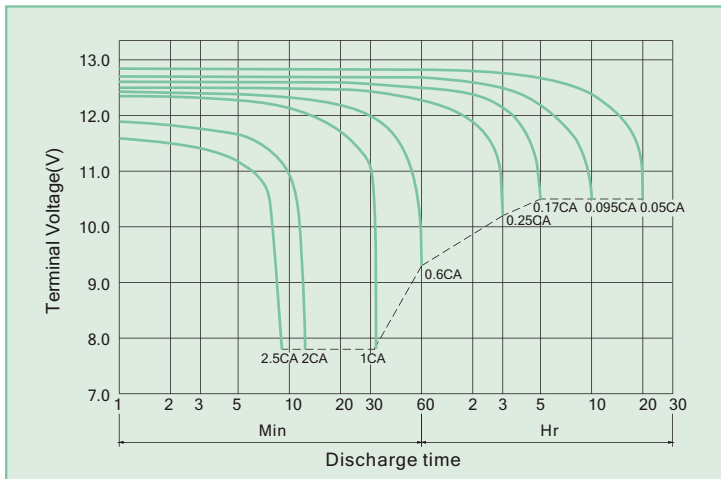
- BC75-12:
ABS: UL 94-HB (Dark gray color)
- BC75-12FR:
ABS: UL 94-V0 (Light gray color)

 ISO 9001	 ISO14001
 MH19884 UL	 C4M20310-2474-E-16 CE
<ul style="list-style-type: none"> ● IEC61056 ● GB/T 19639 	<ul style="list-style-type: none"> ● JIS C 8702

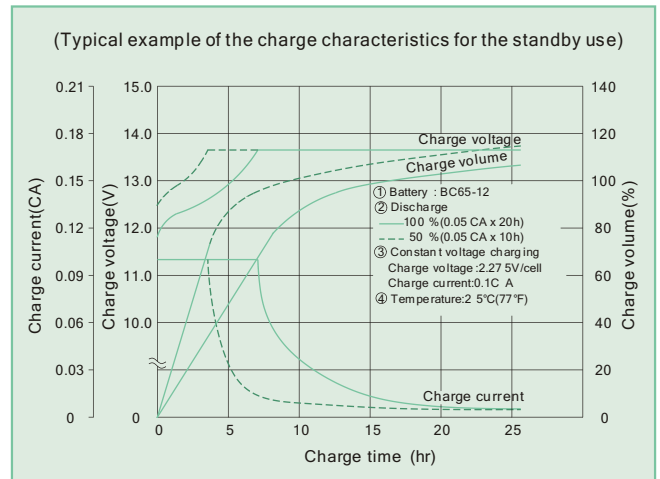
OUTER DIMENSIONS mm(Inch)	Length (L)	Width (W)	Container Height (H)	Total Height (TH)
	350±2.0(13.78±0.08)	166±2.0(6.54±0.08)	174±2.0(6.85±0.08)	174±2.0(6.85±0.08)



BC75-12 (BC75-12FR) discharge characteristics (25°C/77°F)



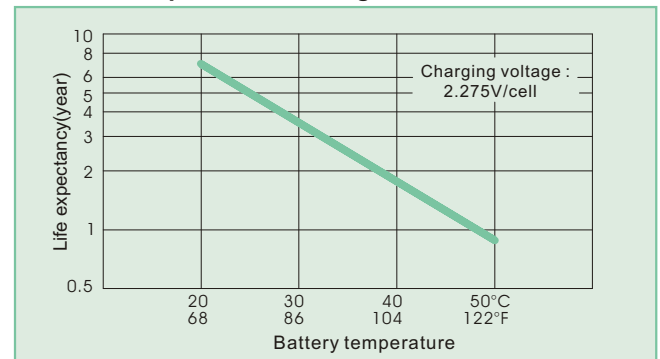
Battery Charging Characteristics



Charging Procedure

Application	Charging method	Charging Voltage at 25°C (V/cell)	Temperature compensation coefficient of charging voltage (mV/°C/cell)	Max. charging current (CA)	Charging time 0.1CA, 25°C (h)		Temp (°C)
					100% discharge	50% discharge	
For standby power Source	Constant voltage & Constant current charging (with current restriction)	2.25~2.30	-3	0.3	24	20	0~40 (32~104°F)
For cycle service		2.40~2.50	-4	0.3	16	10	

Effect Of Temperature On Long Term Float Life



Constant power discharge characteristics at 25 °C/77 °F Unit: W

F.V. (V/cell) \ Discharge Time	5 Min	10 Min	15 Min	30 Min	1 Hr	3 Hr	5 Hr	10 Hr	20 Hr
1.80V	1885.0	1537.0	1254.8	850.0	534.9	218.7	150.75	84.23	44.33
1.75V	2118.3	1664.5	1312.2	882.8	551.0	223.0	153.00	85.50	45.00
1.70V	2317.6	1721.9	1352.1	902.8	560.9	225.0	153.83	85.95	45.23
1.65V	2422.2	1763.3	1383.8	915.6	567.7	226.6	154.35	86.18	45.38
1.60V	2502.3	1801.6	1410.8	924.8	573.3	227.9	154.80	86.18	45.38

Constant current discharge characteristics at 25 °C/77 °F Unit: A

F.V. (V/cell) \ Discharge Time	5 Min	10 Min	15 Min	30 Min	1 Hr	3 Hr	5 Hr	10 Hr	20 Hr
1.80V	171.6	138.6	112.2	72.8	44.9	18.2	12.60	7.05	3.68
1.75V	196.3	150.2	117.2	75.6	46.3	18.6	12.75	7.13	3.75
1.70V	214.8	155.5	120.9	77.3	47.2	18.8	12.83	7.20	3.75
1.65V	228.7	162.2	123.7	78.3	47.7	18.9	12.90	7.20	3.75
1.60V	240.8	168.6	126.1	79.2	48.1	19.0	12.90	7.20	3.75

All data shall be changed without prior notice, BB reserves the right to explain and update the information contained hereinto.

Trial A/0 REV. May, 2011

USA:
B&B BATTERY(USA) INC.
6415 RANDOLPH ST.COMMERCE, CA,90040 U.S.A.
TEL:1-323-278-1900.1-800-278-8599
FAX:1-323-278-1268
E-Mail:sales@bb-battery.com

CHINA FACTORY:
B.B. BATTERY CO., LTD.
CHENG DONG TRIAL AREA,HUANG GANG,
RAOPING, GUANG DONG,CHINA,515700
TEL:86-768-7601001-2
FAX:86-768-7601469
E-Mail:maggy@bb-battery.com

EUROPE:
B&B BATTERY(EUROPE) B.V.
SUITE 8, HAAKSBERGWEG 33, 1101
BP AMSTERDAM,THE NETHERLANDS
TEL: 31-30-3200190
MOBILE: 886-933896989
E-Mail: gary@bb-battery.com

HONG KONG:
B&B BATTERY(Hong Kong) Co.
TEL:852-2311-4918
FAX:852-2739-1182
E-Mail:bbhk@hkstar.com

JAPAN:
B&B BATTERY(JAPAN) CO., LTD.
1375-11 NARAHARA-MACHI,HACHIOJI,
TOKYO 193-0803,JAPAN.
TEL:81-426-25-6375
FAX:81-426-25-6375
E-Mail:miyata@bb-battery.com

TAIWAN:
B.B. BATTERY(TAIWAN) CO., LTD.
TEL:886-6-502-5150
FAX:886-6-589-8087
E-Mail:kevin@bb-battery.com