

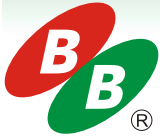


Measures

Technology

Values

Innovation



## VRLA Rechargeable Battery

# BC100-12 (BC100-12FR)

### FEATURES

- Maintenance free(no water topping-up required)
- No free acid(Non-spillable battery)
- Can be used in any orientation(excluding used inverted)
- Flame-arrestor is installed to ensure safety
- Carry handles for easy installation
- Absorbent Glass Mat technology for efficient gas recombination

### APPLICATION

- UPS
- Golf-Carts
- Telecom

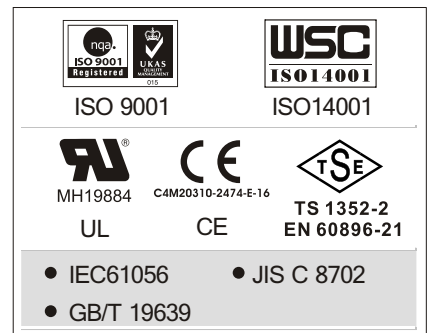
### SPECIFICATIONS

Nominal Voltage	12V	
Nominal Capacity	20 Hour Rate (5.0A, 10.5V)	100 Ah
	10 Hour Rate (9.5A, 10.5V)	95 Ah
	5 Hour Rate (17.0A, 10.5V)	85 Ah
	1 Hour Rate (60.0A,9.3V)	60 Ah
Approx. Weight	28.5Kg(62.8lbs.)	
Terminals	B3 (Fitting M6 bolt & nut) I2 is optional	
Max. Discharge Current	800 A (5 sec.)	
Max. Charge Current	25 A	
Operating Temperature Range	Charge	0°C~40°C(32°F~104°F)
	Discharge	-20°C~50°C(-4°F~122°F)
	Storage	-20°C~40°C(-4°F~104°F)
Self Discharge	< 3% per month (25°C)	
Internal Resistance	≤ 6.0mΩ (Fully Charged )	

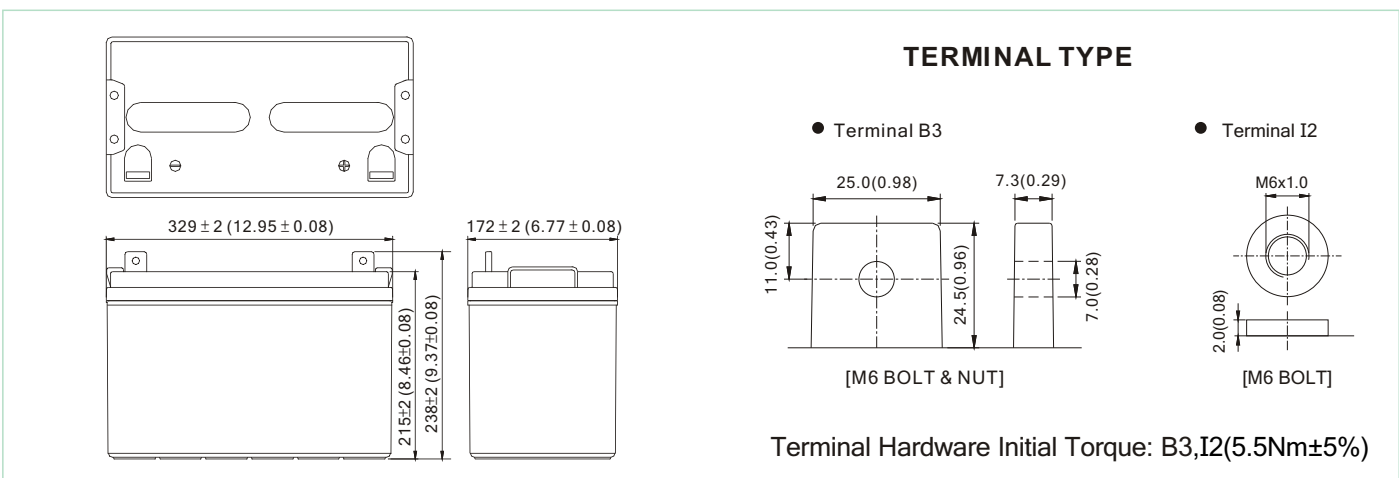


### CONTAINER MATERIAL

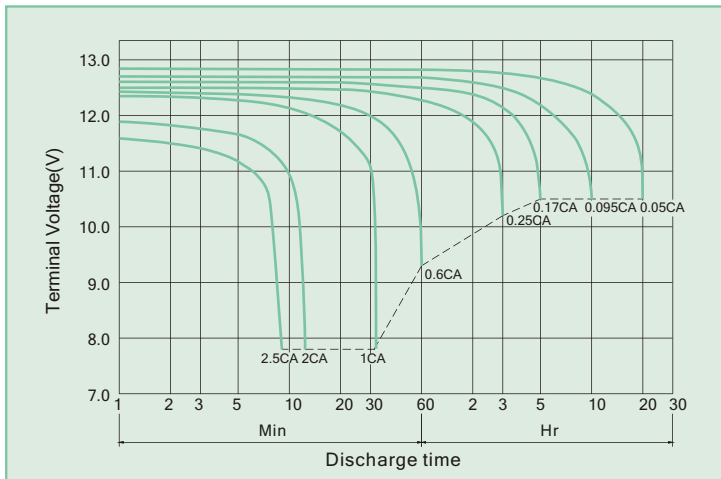
- BC100-12:  
ABS: UL 94-HB (Dark gray color)
- BC100-12FR:  
ABS: UL 94-V0 (Light gray color)



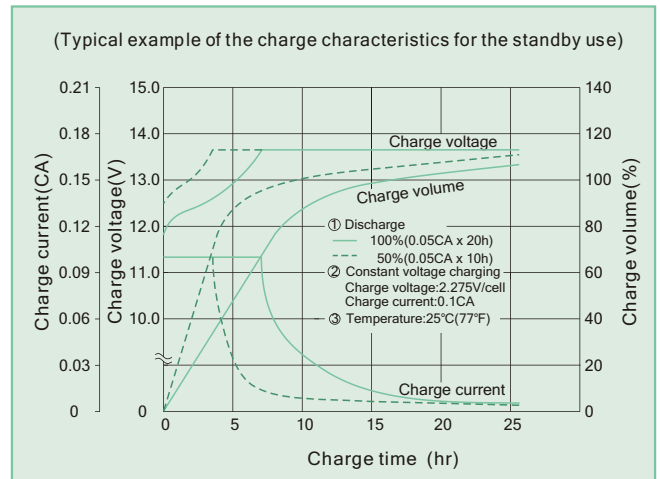
OUTER DIMENSIONS mm(inch)	Length (L)	Width (W)	Container Height (H)	Total Height (TH)
	329±2.0(12.95±0.08)	172±2.0(6.77±0.08)	215±2.0(8.46±0.08)	B3:238±2.0(9.37±0.08) I2:220±2.0(8.66±0.08)



**BC100-12 (BC100-12FR) discharge characteristics (25°C/77°F)**



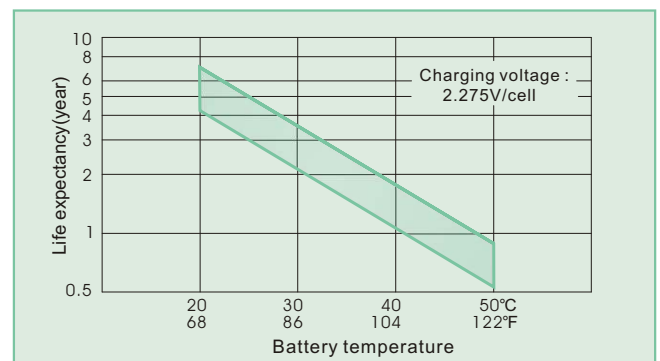
**Battery Charging Characteristics**



**Charging Procedure**

Application	Charging method	Charging Voltage at 25°C (V/cell)	Temperature compensation coefficient of charging voltage (mV/°C/cell)	Max. charging current (CA)	Charging time 0.1CA, 25°C (h)		Temp (°C)
					100% discharge	50% discharge	
For standby power Source	Constant voltage & Constant current charging (with current restriction)	2.25~2.30	-3	0.3	24	20	0~40 (32~104°F)
For cycle service		2.40~2.50	-4	0.3	16	10	

**Effect Of Temperature On Long Term Float Life**



**Constant power discharge characteristics at 25 °C/77 °F Unit: W**

F.V. (V/cell) \ Discharge Time	10 Min	15 Min	30 Min	1 Hr	3 Hr	5 Hr	10 Hr	20 Hr
1.80V	2049.3	1673.1	1133.4	713.2	291.5	201.0	112.3	59.1
1.75V	2219.4	1749.6	1177.1	734.6	297.3	204.0	114.0	60.0
1.70V	2295.9	1802.7	1203.7	747.8	300.0	205.1	114.6	60.3
1.65V	2354.4	1845.0	1220.8	756.9	302.1	205.8	114.9	60.5
1.60V	2402.1	1881.0	1233.1	764.4	303.9	206.4	114.9	60.5

**Constant current discharge characteristics at 25 °C/77 °F Unit: A**

F.V. (V/cell) \ Discharge Time	10 Min	15 Min	30 Min	1 Hr	3 Hr	5 Hr	10 Hr	20 Hr
1.80V	184.8	149.5	97.0	59.9	24.3	16.8	9.4	4.9
1.75V	200.3	156.3	100.7	61.7	24.8	17.0	9.5	5.0
1.70V	207.4	161.2	103.1	62.9	25.0	17.1	9.6	5.0
1.65V	216.3	164.9	104.5	63.6	25.2	17.2	9.6	5.0
1.60V	224.7	168.2	105.5	64.2	25.3	17.2	9.6	5.0

All data shall be changed without prior notice, BB reserves the right to explain and update the information contained hereinto.

To Sader Trial A/0 REV. Nov. 2010

**USA:**  
 B&B BATTERY(USA) INC.  
 6415 RANDOLPH ST.COMMERCE, CA,90040 U.S.A.  
 TEL:1-323-278-1900.1-800-278-8599  
 FAX:1-323-278-1268  
 E-Mail:sales@bb-battery.com

**CHINA FACTORY:**  
 B.B. BATTERY CO., LTD.  
 CHENG DONG TRIAL AREA,HUANG GANG,  
 RAOPING, GUANG DONG,CHINA,515700  
 TEL:86-768-7601001-2  
 FAX:86-768-7601469  
 E-Mail:maggy@bb-battery.com

**EUROPE:**  
 B&B BATTERY(EUROPE) B.V.  
 SUITE 8, HAAKSBERGWEG 33, 1101  
 BP AMSTERDAM,THE NETHERLANDS  
 TEL: 31-30-3200190  
 MOBILE: 886-933896989  
 E-Mail: gary@bb-battery.com

**HONG KONG:**  
 B&B BATTERY(Hong Kong) Co.  
 TEL:852-2311-4918  
 FAX:852-2739-1182  
 E-Mail:bbhk@hkstar.com

**JAPAN:**  
 B&B BATTERY(JAPAN) CO., LTD.  
 1375-11 NARAHARA-MACHI,HACHIOJI,  
 TOKYO 193-0803,JAPAN.  
 TEL:81-426-25-6375  
 FAX:81-426-25-6375  
 E-Mail:miyata@bb-battery.com

**TAIWAN:**  
 B.B. BATTERY(TAIWAN) CO., LTD.  
 TEL:886-6-502-5150  
 FAX:886-6-589-8087  
 E-Mail:kevin@bb-battery.com